



GRIN[®]

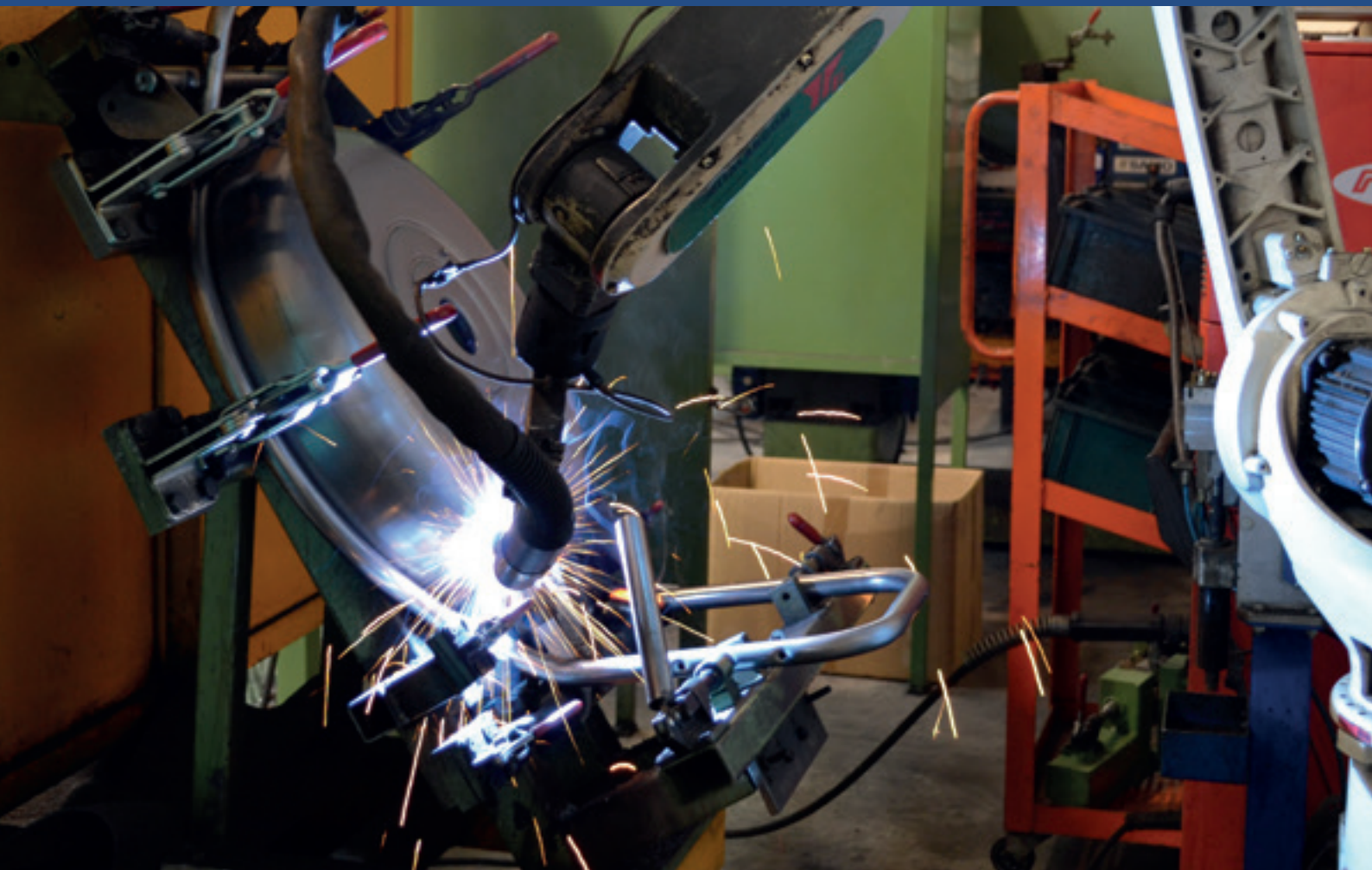
CHANGE YOUR PERSPECTIVE

UK & Ireland

CATALOGUE

www.mygrin.eu

The GRIN company



GRIN srl was founded in 2005 around the patented mowing system: MOWING – NO GRASS BAG - NO WASTE. With headquarters in Sirtori, Lecco province, famous for the mechanical engineering industry, GRIN srl has grown thanks to the passion and years of expertise within the lawn mowing sector.

The first years were dedicated to the development of a highly innovative range of lawn mowers produced in Italy.

Innovation and quality are the groundstones of GRIN philosophy. Therefore, the company itself carries out all development steps, the production and the assembly.

Over 95% of the components are MADE IN ITALY and most of them are produced directly by GRIN.

During these years, the GRIN project has grown and developed in the main **European markets**. This led to the opening of the branch **GRIN FRANCE in La Verpillière**, near Lyon, and to the launch of the countries **BELGIUM and the NETHERLANDS**, as well as many collaborations with international distributors.

CONTENTS



1. GRIN R-EVOLUTION

- How it works **page 4**
- GRIN vs mulching **page 7**
- Ask the expert – Leaves are transformed into fertiliser **page 8**

2. INNOVATION, SIMPLICITY, CONVENIENCE

- Highlights | Innovation **page 9**
- Foldable handlebar **page 10**
- Anti-vibration quick regulator
- Height adjustment lever
- Frame designed for transport
- Easy starter
- Electric starter
- Engine protection cone

3. WE HELP YOU CHOOSING YOUR GRIN

- Selection guide **page 13**
- The full range **page 14**
- Ask the expert **page 16**
- **page 18**

4. THE GRIN RANGE

- HM Range **page 19**
- BM Range **page 20**
- Briggs & Stratton PM Range **page 35**
- Kawasaki PM Range **page 40**
- Summary data sheet **page 46**
- **page 52**

#changeyourperspective

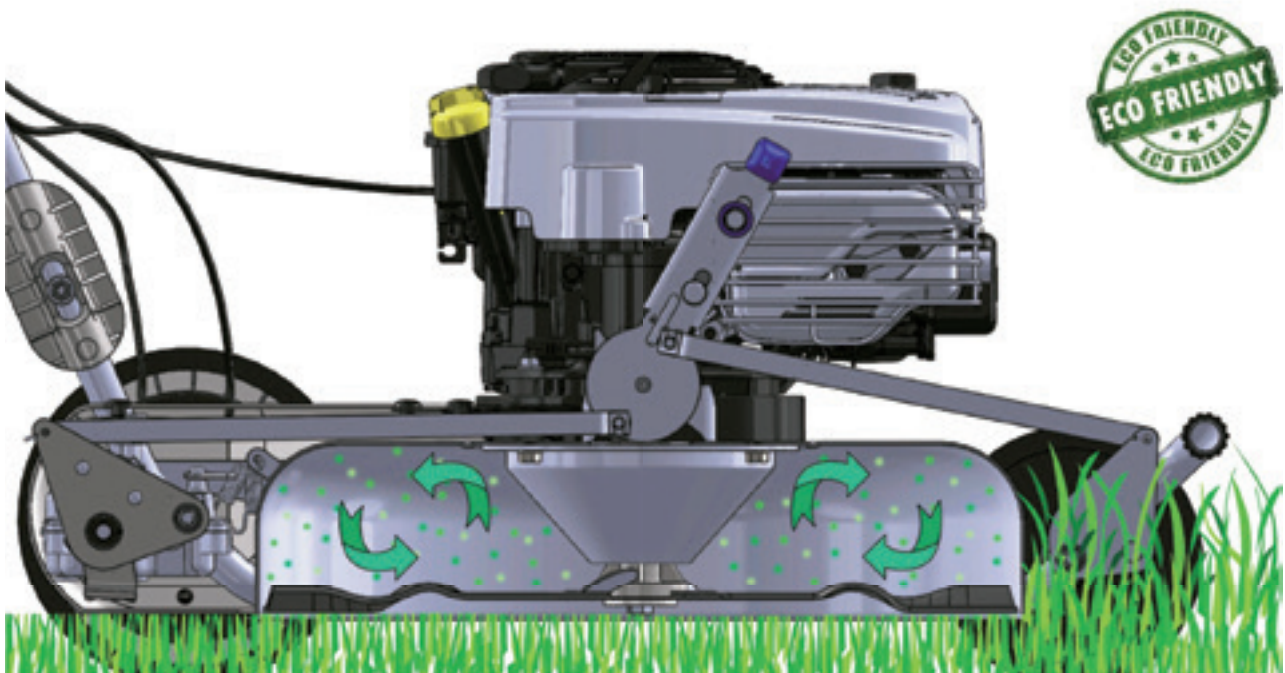
How it works



✓ IT PULVERISES GRASS

✓ IT MOWS TALL GRASS

✓ IT IMPROVES YOUR LAWN



The patented mowing system - MOWING, NO GRASS BAG, NO WASTE - developed by GRIN pulverizes grass while mowing. With GRIN there is no need to collect the grass, store it and dispose of it.

The mowed grass remains suspended for a few fractions of a second inside the patented GRIN mowing deck. It is centrifuged and pulverized, thanks to the vortex created by the patented GRIN blade combined with the effect of a GRIN helix disc.

In this way the grass loses most of its volume and is pulverized into tiny little and virtually invisible particles. These particles fall directly onto the soil (they do not remain on the surface of the lawn!) and are absorbed in a very short time.

GRIN optimally processes the grass inside the mowing deck, pulverizing everything into extremely fine particles, which become an excellent fertilizer for your lawn!

Under normal conditions, the lawn looks identical to the one mowed with a mower with grass bag.

The mowing deck is so voluminous and smooth that no accumulation and clogging problems are encountered during mowing, which are typical of machines with grass bag, instead.

All GRIN mowers are built with a special frame, solely designed for this type of mowing. The GRIN frame optimizes the performance of the patented mowing system and ensures excellent results even in particularly difficult mowing conditions: tall grass, wet grass, uneven terrain etc.

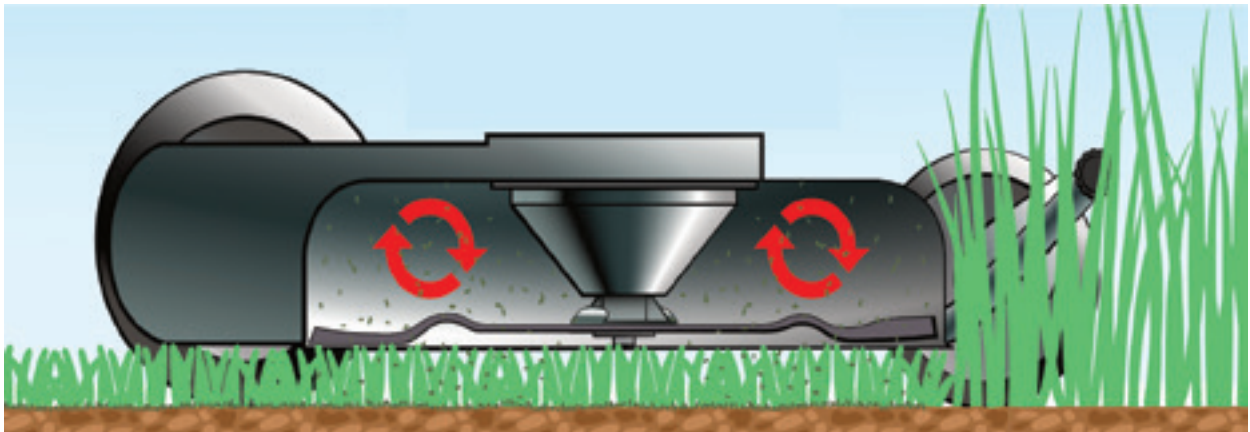


FIND OUT MORE!

**MOWING
NO GRASS BAG
NO WASTE**

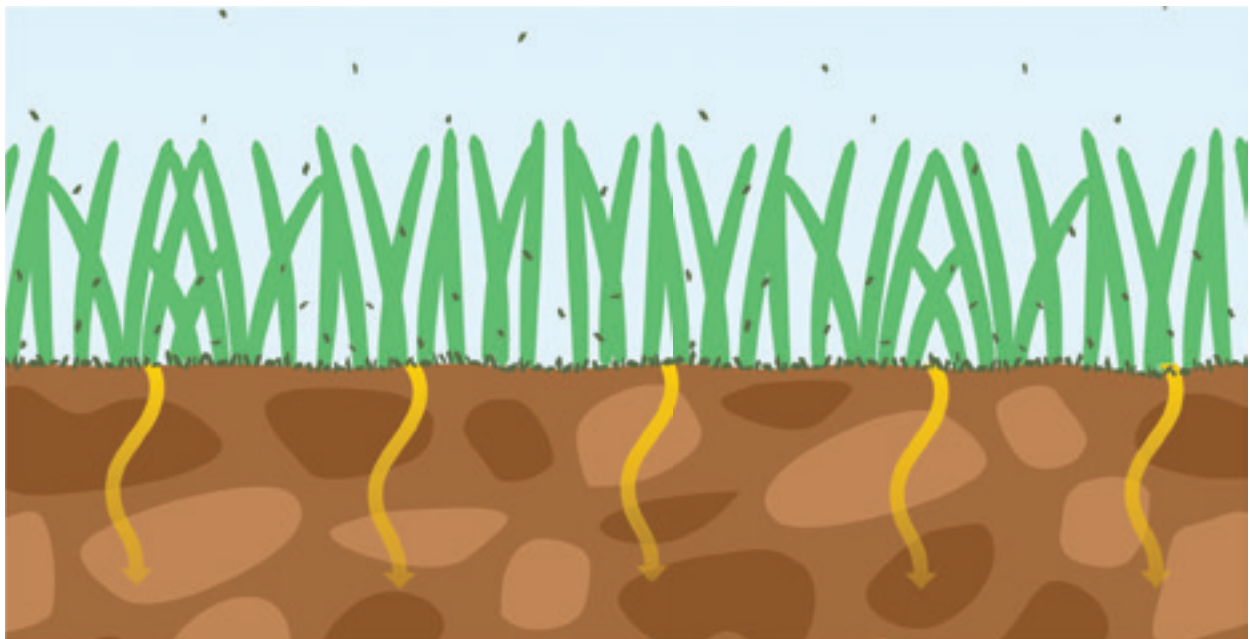


#changeyourperspective



HOW IT WORKS

1. GRIN mows the grass and **PULVERIZES** it
2. The grass is absorbed as **FERTILIZER**
3. The **FERTILIZER** makes your lawn more beautiful!



THE ADVANTAGES

1. Quicker and easier maintenance
2. No waste to be disposed of
3. Less weeds
4. Lower use of fertilizers and water

In any conditions... a perfect lawn!



✓ Tall grass



✓ Flowery meadow



✓ Rustic lawn



✓ Well maintained lawn



✓ Leaves



✓ Weeds

MOWING
NO GRASS BAG
NO WASTE

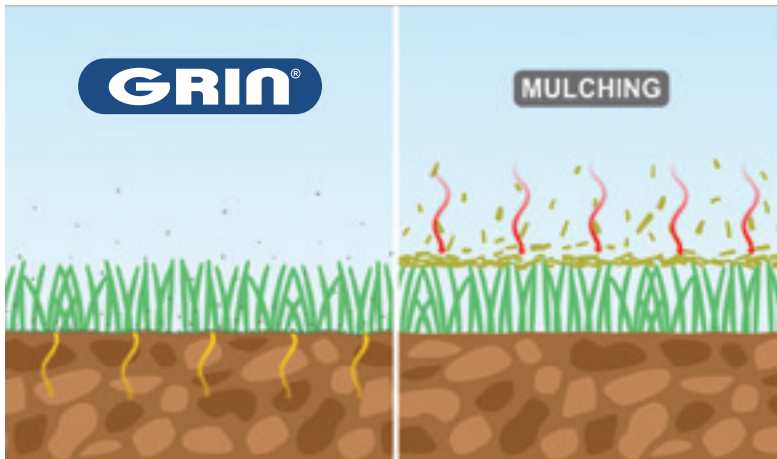
PATENTED

#changeyourperspective

GRIN vs MULCHING

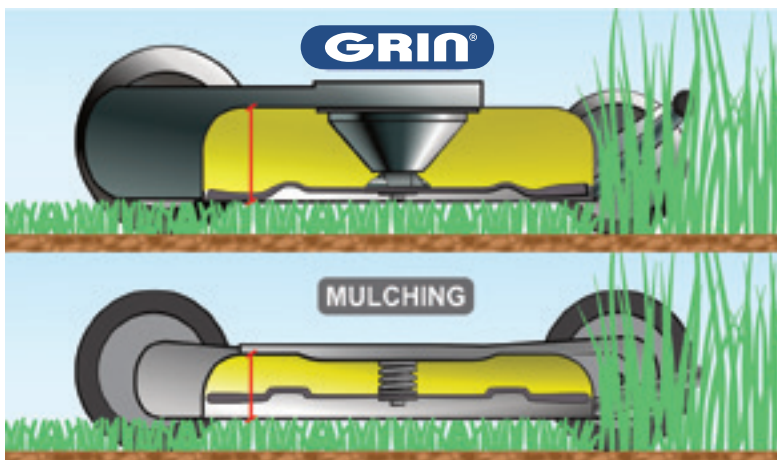


WATCH THE VIDEO
GRIN vs MULCHING



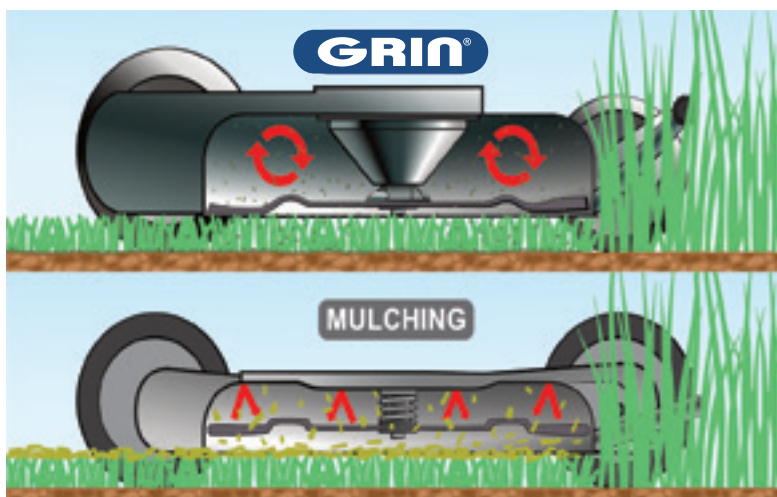
• YOU CAN'T SEE THE PULVERIZED GRASS ON TOP OF THE LAWN

Under normal mowing conditions, GRIN pulverizes grass so fine that it falls through the grass directly onto the soil, to be absorbed as natural fertilizer. In this way, the aesthetic result of mowing with GRIN is similar to the one obtained with a mower with grass-bag. Under similar mowing conditions, conventional mulching merely cuts grass, which remains on the surface of the lawn, making absorption by the soil difficult. **The risk of grass accumulation and lawn suffocation is therefore very high.** Moreover, when it dries up, it remains visible on top of the lawn, looking unaesthetic.



• THE GRIN MOWING DECK MOWS ALSO TALL GRASS

The GRIN mowing deck is about 30% higher than conventional mulching machines. The shape and the position of the blade make the volume of a GRIN mowing deck about 50% larger than conventional mulching machines. This means that a GRIN mower can mow more grass and for a longer period, without getting overloaded. **Therefore, GRIN performs much better in medium-tall grass than a conventional mulching system.**



• THE GRIN BLADE CENTRIFUGES THE MOWED GRASS

The GRIN mowing system consists of a patented blade with a particular shape and made of a special material. The blade is assembled with a patented helix disc in a specific position inside the mowing deck. These two components, combined with the shape of the mowing deck, create a vortex with centrifugal effect, which keeps the grass suspended in air for a long time to be pulverised in fine particles.

The mowing system of a mulching machine normally consists of a curved blade that cuts the grass into several segments, the first time during mowing and then when the cut segment falls down. When the length of the grass to mow exceeds 8-10 cm, the cut segments remain long and visible.



Ask the expert



WATCH THE VIDEO OF
GRIN ON LEAVES



• Leaves are transformed into fertilizer.

The patented mowing system – MOWING, NO GRASS BAG, NO WASTE – developed by GRIN is also effective with leaves. The leaves are ground inside the mowing deck and transformed into fertilizer for your lawn.

If the leaves are fine ground by the GRIN system, they become an excellent nourishment for the lawn because they are rich of carbon. The night humidity and the microorganisms of the terrain help the absorption, so that the soil becomes more fertile and consequently more beautiful.

In this way, there is no need to waste time and effort in collecting the leaves and disposing of them.

2.

INNOVATION SIMPLICITY CONVENIENCE

HIGHLIGHTS | INNOVATION

- Foldable handlebar ·
- Anti-vibration quick regulator ·
- Height adjustment lever ·
- Frame designed for transport ·
- Easy starter ·
- Electric starter ·



Highlights



INNOVATION

01. FOLDABLE HANDLEBAR



02. ANTI-VIBRATION QUICK REGULATOR



03. CENTRALIZED MOWING HEIGHT ADJUSTMENT



INNOVATION, SIMPLICITY, CONVENIENCE

04. FRAME DESIGNED FOR TRANSPORT



05. EASY STARTER



06. ELECTRIC STARTER



01. FOLDABLE HANDLEBAR

Thanks to two easy levers, it is possible to fold the handlebar for storage in little space and an easy transport. With folded handlebar, GRIN can be put vertically to clean the mowing deck or to be stored in garage*.

*The electric models and the models equipped with MOW N' STOW combustion engine can be stored vertically for a long period (even with full tanks)

02. ANTI-VIBRATION QUICK REGULATOR

Two sturdy Nylon regulators allow the adjustment of the handlebar height according to the one of the user. GRIN has also studied a vibration absorption system inside the new regulators to grant much more comfort in case of intensive use.

03. CENTRALIZED MOWING HEIGHT ADJUSTMENT

The rapid height adjustment on the four wheels is possible using a single lever. With a single movement, it is possible to set the desired height quickly and easily.

04. FRAME DESIGNED FOR TRANSPORT

The GRIN frame has an ergonomic shape designed to improve the maneuverability of the mower and is suitable for transport. Two handles allow the user to lift the machine easily in case of stairs or inconvenient areas of the garden. With folded handlebar, GRIN can also fit in the smaller cars to be easily transported.

05. EASY STARTER

The high range equipment of the GRIN motors allow an effortless and immediate start. New technologies make the use easy and intuitive by minimizing ordinary maintenance operations.

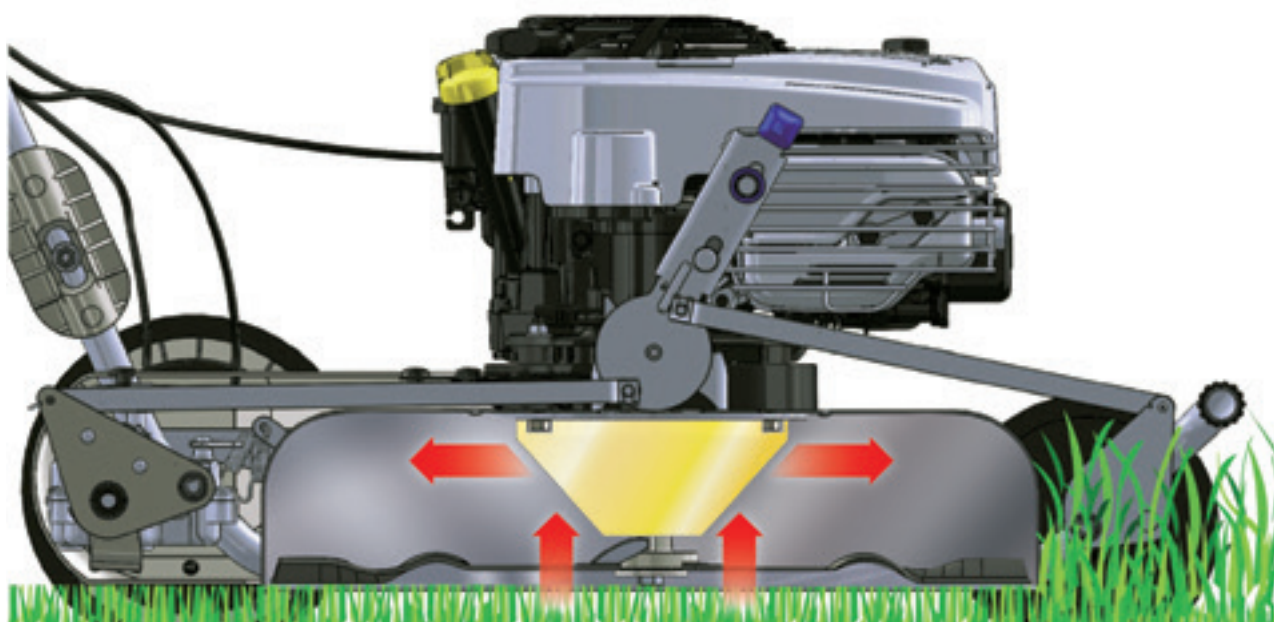
06. ELECTRIC STARTER

Just a button is necessary to start the GRIN models with combustion engine of the INSTART range and the electric ones of the EM and BM range. A simple press of the starter is enough to be ready to mow: quick, easy and effective.

Engine protection cone



WATCH THE VIDEO OF
THE ENGINE PROTECTION
CONE SYSTEM



THE **ENGINE PROTECTION CONE** OFFERS PROTECTION WHEN THE BLADE ACCIDENTALLY HITS AN OBSTACLE WHILE MOWING (SUCH AS A STONE, ROOT OR OTHER).

Have you ever hit a stone with your lawn mower and damaged the crankshaft?

These kind of accidents may cause serious mechanical problems. For this reason, **GRIN has introduced a device called ENGINE PROTECTION CONE to minimize these risks.**

This device offers protection when the blade accidentally hits an obstacle while mowing (such as a stone, a root or something else). To better understand how it works, we suggest you watch the explanatory video.

The steel cone, in combination with the GRIN chassis, absorbs the hit and minimizes the risks of damage. Should the blade hub break, its replacement is easy, quick and low-cost. The user can directly carry it out.

The ENGINE PROTECTION CONE is recommended for uneven terrains or for any distracted user, who easily runs into this kind of accidents.

The ENGINE PROTECTION CONE is fitted as standard on the GRIN Professional range* and is optionally available for the other models.

* PM46A, PM53A, PM46A IS, PM53A IS, PM53A KW, SPM53A KW, BM46-82V, BM46A-82V

3.

WE HELP YOU CHOOSING YOUR GRIN

[Selection guide](#) ·

[The full range](#) ·

[Ask the expert](#) ·





Selection guide



GRIN offers a complete range of products that fit the requirements of every garden.

It's important to choose the right lawn mower: GRIN will accompany you for many years to come!

Remember that GRIN does not have a grass bag. This makes it lighter and more maneuverable than the lawn mowers you have used until today.

1 - CHOOSE THE RIGHT MOWING WIDTH

Usually, you can choose a smaller GRIN lawn mower in comparison to a model with grass bag (e.g. if you used a 53 cm mowing width, a 46 cm GRIN model might suit you). **The choice of a grass bag lawn mower with large dimensions is due to the fact that a larger grass bag reduces the number of stops when mowing. With GRIN, choosing a larger mowing width saves you approx. 10 minutes each 1.000 m², however, the smaller machines are more maneuverable especially in tight spaces.**

2 - CONSIDER IF YOU NEED A TRACTION

Lawn mowers with grass bag are typically heavier, especially when the bag is full of grass. **To easily maneuver them, the traction is needed starting from 400 m² or on slight slopes. GRIN machines without traction are more maneuverable, instead, especially in tight spaces.**

A walk-behind GRIN mower is recommended up to 800 m² and 10° of slope.

3 - CHOOSE THE RIGHT ENGINE

Grin lawn mowers with electric motor have the same structural features as the ones with combustion engine: the mowing result is particularly qualitative and under normal mowing circumstances practically identical to that of the line with internal combustion engines.

USE THE GUIDING SCHEME IN THE NEXT PAGE TO CHOOSE THE GRIN MODEL SUITABLE FOR YOU AND YOUR GARDEN!

• How big is your garden in square meters?

M ² OF THE GARDEN	BLADE WIDTH	TRACTION	MODEL
0-400	37 cm (600-800 m ² \h)	NO	EM37 - HM37 BM37
400-800	46 cm (800-1.000 m ² \h)	NO	HM46 - HM46 IS BM46
800-1.200	46 cm (800-1.000 m ² \h)	YES	HM46A - HM46A IS BM46A PM46A - PM46A IS
1.200-3000	53 cm (1.000-1.200 m ² \h) (2.000 m ² \h with SPM53A)	YES	HM53A - HM53A IS PM53A - PM53A IS PM53A KW - SPM53A KW

COMPARISON WITH A LAWN MOWER WITH GRASS BAG

M ² OF THE GARDEN	GRIN BLADE WIDTH	LAWN MOWER WITH GRASS BAG BLADE WIDTH	GRIN TRACTION	LAWN MOWER WITH GRASS BAG TRACTION
0-400	37 cm	46 cm	NO	NO
400-800	46 cm	53 cm	NO	YES
800-1.200	46 cm	53 cm	YES	YES
1.200-3000	53 cm	53 cm	YES	YES

• Is it flat or on slopes?

DEGREE OF SLOPE	TRACTION	ENGINE
0° - 10°	NO (up to 800 M ²)	ALL
10° - 20°	YES	ALL
> 20° (MAX 35° - 40°)	YES	Battery (BM46A-82V) Kawasaki with pressurised lubrication (PM53A KW - SPM53A KW)

The full range



Hobby PRO

The HobbyPRO line is addressed to **demanding private users**. Robustness and quality of professional materials are combined with components designed to grant **maneuverability, convenience and ease of use**.

LIGHT

Designed to be maneuverable, even in tight spaces

EASY

Easy start and intuitive use

ROBUST

Professional frame, blade and wheels designed to last over time

RECOMMENDED FOR

HobbyPRO

0-400 M²



HM37

400-800 M²



HM46



HM46 INSTART

800-1.200 M²



HM46A



HM46A INSTART

1.200-3.000 M²



HM53A

Internal combustion engine
Briggs & Stratton 6.75



HM53A INSTART

Internal combustion engine
Briggs & Stratton 6.75

ELECTRIC START


**MOWING
NO GRASS BAG
NO WASTE**

A model for every need

Professional

The PROFESSIONAL line is designed to professional turf maintenance. The components are suitable for intensive use, even on difficult terrains.

POWERFUL




Specific engine and components to mow under difficult conditions

RESISTANT



The engine protection cone is important on uneven terrain

ADAPTABLE



The professional traction allows you to adapt speed according to different mowing conditions

Professional BRIGGS & STRATTON

Professional KAWASAKI



SLOPES < 10°

SLOPES > 10°



BM46A-82V



PM46A



PM46A INSTART



PM53A




PM53A INSTART



PM53A KW



SPM53A KW

 **Battery**

82V

 **Internal combustion engine**
Briggs & Stratton 8.50

 **Internal combustion engine**
Briggs & Stratton 8.50

ELECTRIC START

 **Internal combustion engine**
Kawasaki

FOR SLOPES > 20°



Ask the expert



• HOW DO I CHOOSE THE RIGHT GRIN MODEL FOR MY GARDEN?

ACCORDING TO THE SIZE of your garden in square meters, choose the mowing width (37, 46 or 53 cm) referring to the chart at page 34. Once you have identified the models of the right size, look at the data sheets in the following pages: a rating scheme from 1 to 5 helps you finding the suitable product considering your mowing preferences.

Do not hesitate to contact GRIN for advice or visit one of our authorized dealers.

• FOR LAWNS UP TO 800 M², WHY ISN'T THE TRACTION NECESSARY WITH GRIN?

BECAUSE GRIN is lighter than a mower with grass bag. In fact it does not carry the weight of the bag full of grass. Unless there are slopes of more than 10°, the traction in a medium-sized garden could make the machine heavier and less maneuverable.

In order to understand more about the GRIN system, we suggest you to perform a free TEST DRIVE by our authorized dealers.

• WHICH IS THE DIFFERENCE BETWEEN GRIN PM AND HM PRODUCT RANGE?

The PM range is designed for PROFESSIONAL and very intensive use. The frame and the mowing deck are very similar in both product lines, but the equipment and the components are different. **The PM range in addition has the engine protection cone as standard, more performant engine, professional 2-speed traction, MAXI rear wheels, a more comfortable handlebar and levers.** As for the use, the main differences can be noticed on uneven terrains, in tall grass or on very well maintained lawns.

If you have doubts, do not hesitate to contact us for help or perform a free TEST DRIVE.

• HOW DO THE GRIN BATTERY MACHINES PERFORM?

LIKE THE ONES WITH COMBUSTION ENGINE.

The GRIN battery machines are equipped with the same steel frame like the ones with combustion engine.

The 82V motors are extremely powerful and grant excellent performances. The electric motor torque is sometimes even more performant than the engines of the HM range. Many professional use these machines also in very tall grass or on extremely difficult lawns. **You can fully appreciate it performing a free TEST DRIVE by the closest GRIN dealer.**

4.

THE GRIN RANGE

EM range ·

HM range ·

BM range ·

BRIGGS & STRATTON PM range ·

KAWASAKI PM range ·

Summary data sheet ·

RM range ·

BIOCH range ·



4. THE GRIN RANGE



HM range

INTERNAL COMBUSTION ENGINE

HobbyPRO



The GRIN HM range consists of 7 lawn mowers featuring the patented MOWING – NO GRASS BAG – NO WASTE system.

They are powered by the Briggs & Stratton 6.75 series internal combustion engine, which is available with both starter cord and electric start.

Recommended for all demanding private users, who require a machine with a professional chassis that also assures great maneuverability.

They are available with mowing width of 37, 46 and 53 cm and either in the push version or with traction.

These were the first models to be developed with the patented MOWING - NO GRASS BAG - NO WASTE system.

They have always driven our company's growth; very reliable machines tested and evolved over 15 years in the field!

H I G H L I G H T S

01. READY START



02. ELECTRIC START



03. MOW N'STOW VERTICAL STORAGE



01. READY START

Automatic starter to start the engine on the first try.

02. ELECTRIC START

Start the engine simply pushing a button.

*on the INSTART machines

03. MOW N'STOW VERTICAL STORAGE

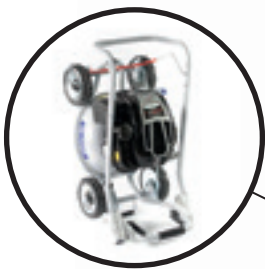
70% of space saved in your garage even with full tanks.

HM range

GRIN HM37



FIND OUT MORE!



MOWING
NO GRASS BAG
NO WASTE

TESTDRIVE GRIN



GRIN HM37 is a compact, very maneuverable lawn mower with internal combustion engine.

Built on the proven GRIN chassis, it is equipped with the powerful and reliable Briggs & Stratton 675 series, 163 cc engine with Ready Start for an easy start up.

This lawn mower is the smallest and lightest of the internal combustion engine range. Nevertheless, it features the structural advantages of all GRIN lawn mowers, granting high solidity and mowing efficiency: 3 mm thick mowing deck, reinforced by a tubular frame, steel wheels with double ball bearing, centralised height adjustment lever, quick anti-vibration handlebar regulators, 25 mm handlebar, patented GRIN blade, etc.

Ideal for users who look for high quality mowing in small gardens or with narrow passages.

The 37 cm blade is recommended for lawns up to approximately 400 m². The chassis of this machine is very solid and durable. In case of particularly rocky or uneven terrain, it can be equipped with the optional engine protection cone.

GRIN HM46



FIND OUT MORE!



**MOWING
NO GRASS BAG
NO WASTE**

TESTDRIVE GRIN



GRIN HM46 is one of the most popular machines in the GRIN range with internal combustion engine.

Built on the proven GRIN chassis, it is equipped with the powerful and reliable Briggs & Stratton 675 series, 163 cc engine with READY START for an easy start up.

The most impressive feature of this lawn mower is its maneuverability. Its compact chassis, the wheels with double ball bearings, the low weight of 27 kg and the practical frame make it the ideal machine to easily mow in between trees, flowerbeds, lanes and all the other obstacles in the garden.

Nevertheless, its 46 cm mowing deck allow easy and quick maintenance up to 800 m².

The lack of traction is not perceived on flat lawns: GRIN lawn mowers have no grass bag, therefore the weight of the machine is low and does not increase with full grass bag.

Pushing GRIN HM46 is easy and comfortable for everyone and there is no traction that could hinder maneuvering.

The chassis of this machine is very solid and durable. In case of particularly rocky or uneven terrain, it can be equipped with the optional engine protection cone.

GRIN HM46A



FIND OUT MORE!



**MOWING
NO GRASS BAG
NO WASTE**

TESTDRIVE GRIN



GRIN HM46A is one of the most popular machines in the Grin range with internal combustion engine and traction.

Built on the proven **GRIN** chassis, it is equipped with the powerful and reliable **Briggs & Stratton 675 series, 163 cc engine with READY START** for an easy start up.

The traction in oil bath, in aluminum casing, is reliable and powerful.

The innovative GRIN design of the traction, mounted on GRIN suspended axles, enables to increase shock resistance and durability.

The 46 cm mowing deck allows you to quickly mow up to 1200 m², still assuring extreme maneuverability even in the narrowest garden areas, on slopes and during transport.

The chassis of this machine is very solid and durable. In case of particularly rocky or uneven terrain, it can be equipped with the optional engine protection cone.



INTERNAL COMBUSTION ENGINE

RECOMMENDED FOR M²

800-1.200 M²

RECOMMENDED FOR SLOPES

0-20°

TECHNICAL SPECIFICATIONS

MOWING SYSTEM	Patented GRIN mowing system MOWING - NO GRASS BAG - NO WASTE
MOWING WIDTH	46 cm
MOWING HEIGHT	4 heights, adjustable with a single quick action lever
TRACTION	MONO in aluminum casing
WHEELS	Grip Grin , steel structure with double ball bearing
MOWING DECK AND STRUCTURE	Reinforced, powder coated steel
ENGINE PROTECTION CONE	Optional
HANDLEBAR	Foldable with quick anti-vibration regulators
ENGINE	Briggs & Stratton 6.75 - Ready Start 4-stroke - 163 cc MOW N'STOW for vertical storage
START	Easy starter cord - automatic
WEIGHT	32 kg

GRIN HM46A PERFORMANCE	1	2	3	4	5
Mowing quality in standard conditions					
Performance in tall grass (>30 cm)					
Mowing on slopes					
Uneven terrains					
Manoeuvrability in tight spaces					
Mowing speed					

GRIN HM46A INSTART

ELECTRIC START



FIND OUT MORE!



MOWING
NO GRASS BAG
NO WASTE

TESTDRIVE GRIN



The **INSTART** series of the model HM46A features an electric starter.

Built on the proven **GRIN** chassis, it maintains all the HM46A features and is equipped with the powerful and reliable Briggs & Stratton 675 series, 163 cc engine with **INSTART** system.

This **innovative engine** is powered by a built-in Lithium Ion battery that allows you to start the machine without pulling the cord, but just by pushing on a button.

The built-in battery, which is fully charged in about 4 hours, allows up to 200 starts with one full charge.

While a partial charge of 10 minutes allows more than 10 starts.

INSTART is a true revolution in the field of lawn mower engines.



INTERNAL COMBUSTION ENGINE

RECOMMENDED FOR M²

800-1.200 M²

RECOMMENDED FOR SLOPES

0-20°

TECHNICAL SPECIFICATIONS

MOWING SYSTEM	Patented GRIN mowing system MOWING - NO GRASS BAG - NO WASTE
MOWING WIDTH	46 cm
MOWING HEIGHT	4 heights, adjustable with a single quick action lever
TRACTION	MONO in aluminum casing
WHEELS	Grip Grin , steel structure with double ball bearing
MOWING DECK AND STRUCTURE	Reinforced, powder coated steel
ENGINE PROTECTION CONE	Optional
HANDLEBAR	Foldable with quick anti-vibration regulators
ENGINE	Briggs & Stratton 6.75 - INSTART with built-in battery 4-stroke - 163 cc MOW N'STOW for vertical storage
START	Electric
WEIGHT	33 kg

GRIN HM46A INSTART PERFORMANCE	1	2	3	4	5
Mowing quality in standard conditions					
Performance in tall grass (>30 cm)					
Mowing on slopes					
Uneven terrains					
Manoeuvrability in tight spaces					
Mowing speed					

GRIN HM53A



FIND OUT MORE!



**MOWING
NO GRASS BAG
NO WASTE**

TESTDRIVE GRIN



GRIN HM53A with internal combustion engine and traction is designed for large spaces.

Built on the proven GRIN chassis, it is equipped with the powerful and reliable Briggs & Stratton 675 series, 163 cc engine with READY START for an easy start up.

The traction in oil bath, in aluminum casing, is reliable and powerful.

The innovative GRIN design of the traction, mounted on GRIN suspended axles, enables to increase shock resistance and durability.

The 53 cm mowing deck allows you to mow lawns larger than 1200 m².

Compared to the smaller model, with 46 cm mowing deck, it is best suited for wide open spaces, where a larger mowing width helps to save time for maintenance.

The chassis of this machine is very solid and durable. In case of particularly rocky or uneven terrain, it can be equipped with the optional engine protection cone.

GRIN HM53A INSTART

ELECTRIC START



FIND OUT MORE!



MOWING
NO GRASS BAG
NO WASTE

TESTDRIVE GRIN



The **INSTART** series of the model HM53A features an electric starter.

Built on the proven **GRIN** chassis, it maintains all the HM53A features and is equipped with the powerful and reliable Briggs & Stratton 675 series, 163 cc engine with **INSTART** system.

This innovative engine is powered by a built-in Lithium Ion battery that allows you to start the machine without pulling the cord, but just by pushing on a button.

The built-in battery, which is fully charged in about 4 hours, allows up to 200 starts with one full charge.

While a partial charge of 10 minutes allows more than 10 starts.

INSTART is a true revolution in the field of lawn mower engines.





BM range

82V BATTERY

HobbyPRO

Professional



The GRIN 82V battery powered range consists of 3 lawn mowers, 2 push models and 1 with traction, featuring the patented MOWING – NO GRASS BAG – NO WASTE system. They are equipped with the innovative, brushless Briggs & Stratton electric motor with an output of 1,5 kw and powered by a 82V lithium ion battery.

This new technology allows amazing performances compared to the past. In terms of power and mowing quality, these lawn mowers have nothing to envy to the ones with internal combustion engine.

With the 5Ah battery, one full charge is enough to mow 800 m² (with the model BM46-82V), while with the 2Ah battery it is possible to mow up to 400 m² with one full charge (with model BM37-82V).

The battery is housed in an internal compartment of the motor and can be easily removed to be recharged. In this way, the battery is protected from hits and atmospheric agents.

The combination of 2 batteries allows an autonomy of several consecutive hours, increasing the usability.

H I G H L I G H T S

01. ELECTRIC START



02. 82V BATTERY MOTOR



03. VERTICAL STORAGE



01.
ELECTRIC START

Start the engine simply pushing a button.

02.
82V BATTERY MOTOR

Powerful like a combustion engine, easy like an electric motor.

03.
VERTICAL STORAGE

70% of space saved in your garage.

BM range 82V



Practical and environmentally friendly... without compromises!

- **GUARANTEED POWER**

to mow without compromise compared to an internal combustion engine.

- **OPTIMISED AUTONOMY**

of the battery thanks to the automatic consumption control of the **ECO MODE** and **POWER MODE** system.

- **NO MAINTENANCE**

needed for the 82V Briggs & Stratton motor.

- **LOW ENVIRONMENTAL IMPACT**

for an eco-friendly mowing and a quiet motor.

GRIN BM46A-82V

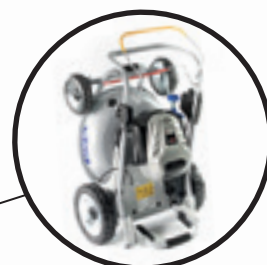
600 M² WITH ONE FULL CHARGE



FIND OUT MORE!



MOWING
NO GRASS BAG
NO WASTE



GRIN BM46A-82V is a lawn mower with automatic traction equipped with the Briggs & Stratton electric motor powered by an 82V lithium ion battery.

The 5Ah and 82V battery allows you to mow up to 600 m², under normal conditions, with one full charge.

With an additional 5Ah battery, it is possible to mow up to 1.200 m².

The 2 SPEED professional traction in oil bath, in aluminum casing, is reliable and powerful and allows you to adjust the speed according to the conditions of the lawn.

The innovative GRIN design of the traction, mounted on GRIN suspended axles, enables to increase shock resistance and durability. Built on the proven GRIN chassis, with the standard ENGINE PROTECTION CONE, it is equipped with a 1,5 KW electric motor, that assures incredible performance in tall grass and difficult conditions, similar to a machine with internal combustion engine.

The electronics enable the variation of the motor's RPM from 2.600 to 2.900, optimising battery life thanks to automatic power adjustment according to mowing conditions.

Thanks to the structural integrity and the motor, it is widely appreciated by professional gardeners.



BATTERY

RECOMMENDED FOR M²

800-1.200 M²

RECOMMENDED FOR SLOPES

0-30°

TECHNICAL SPECIFICATIONS

MOWING SYSTEM	Patented GRIN mowing system MOWING - NO GRASS BAG - NO WASTE
MOWING WIDTH	46 cm
MOWING HEIGHT	4 heights, adjustable with a single quick action lever
TRACTION	Professional with 2 speeds
WHEELS	Grip Grin , steel structure with double ball bearing
MOWING DECK AND STRUCTURE	Reinforced, powder coated steel
ENGINE PROTECTION CONE	Standard
HANDLEBAR	Foldable with quick anti-vibration regulators
ENGINE	Briggs & Stratton 82V - Lithium ION High efficiency, with integrated control, safety key
START	Electric
BATTERY	5Ah-82v - 600 m² with one full charge
BATTERY CHARGER	QUICK- 75 minutes for one full charge
WEIGHT	33 kg - without battery

GRIN BM46A-82V PERFORMANCE	1	2	3	4	5
Mowing quality in standard conditions	[Full bar]				
Performance in tall grass (>30 cm)	[Short bar]				
Mowing on slopes	[Full bar]				
Uneven terrains	[Short bar]				
Manoeuvrability in tight spaces	[Short bar]				
Mowing speed	[Short bar]				

4. THE GRIN RANGE



Briggs & Stratton PM range

INTERNAL COMBUSTION ENGINE

Professional



The GRIN Briggs & Stratton PM range consists of 4 lawn mowers featuring the patented MOWING – NO GRASS BAG – NO WASTE system designed for professional use. They are powered by the professional BRIGGS & STRATTON 8.50 series internal combustion engine, which is available with both starter cord and electric starter.

Recommended for gardeners, maintainers, cooperatives or demanding private users. Available with mowing width of 46 and 53 cm, the lawn mowers of PM range are equipped with a professional traction to adapt to the different mowing conditions. The wheels with GRIP GRIN tread and MAXI rear diameter assure high performance on uneven terrain.

The engine protection cone, which offers protection from accidental hits on the blade, is standard. The comfort levers combined with the anti-vibration covered handlebar grant more comfort during intensive use.

Representing the evolution in professional maintenance, GRIN's professional range is able to meet the requirements to reduce costs and shorten maintenance time, always granting standard high mowing quality!

Professional HIGHLIGHTS



01. READY START



02. BRIGGS & STRATTON PROFESSIONAL ENGINE



03. PROFESSIONAL TRACTION



04. ENGINE PROTECTION CONE



05. MAXI GRIP GRIN



06. ANTI-VIBRATION HANDLEBAR AND COMFORT LEVERS

01. READY START

Automatic starter to start the engine on the first try.

02. BRIGGS & STRATTON PROFESSIONAL ENGINE

Power and reliability combined with ease of use.

03. PROFESSIONAL TRACTION

Professional with 2 speeds to adapt to different conditions.

04. ENGINE PROTECTION CONE

To minimize impacts on uneven terrain.

05. MAXI GRIP GRIN

To overcome obstacles on uneven terrain.

06. ANTI-VIBRATION HANDLEBAR AND COMFORT LEVERS

For more comfort in case of intensive use.

Briggs & Stratton | PM range

GRIN PM46A



FIND OUT MORE!



MOWING
NO GRASS BAG
NO WASTE

TESTDRIVE GRIN



Built on the proven GRIN chassis, GRIN PM46A is equipped with the powerful and reliable Briggs & Stratton 8.50 series, 190 cc engine with READY START for easy start up.

The 2 SPEED professional traction in oil bath, in aluminum casing, is reliable and powerful and allows you to adjust the speed according to the conditions of the lawn.

The innovative GRIN design of the traction, mounted on GRIN suspended axles, enables to increase shock resistance and durability. **Ideal for professional lawn maintenance, this machine is best suited for difficult conditions.**

Maintainers who use it are astonished by its ability to pulverise grass even when it is tall and wet. It is also suitable for less frequent maintenance.

The 46 cm mowing deck makes it maneuverable in tight space or for trimming jobs.

The reinforced construction, the 3 mm thick mowing deck and the standard ENGINE PROTECTION CONE allow even the most distracted operator to mow rustic lawns. **The quality of the GRIN mowing system combined with the machine's components assure excellent results on well-maintained lawns.**



INTERNAL COMBUSTION ENGINE

RECOMMENDED FOR M²

800-1.200 M²

RECOMMENDED FOR SLOPES

0-20°

TECHNICAL SPECIFICATIONS

MOWING SYSTEM	Patented GRIN mowing system MOWING - NO GRASS BAG - NO WASTE
MOWING WIDTH	46 cm
MOWING HEIGHT	4 heights, adjustable with a single quick action lever
TRACTION	Professional with 2 speeds
WHEELS	Grip Grin , steel structure with double ball bearing. Rear wheels with MAXI diameter
MOWING DECK AND STRUCTURE	Reinforced, powder coated steel
ENGINE PROTECTION CONE	Standard
HANDLEBAR	Foldable with quick anti-vibration regulators
ENGINE	Briggs & Stratton 8.50 professional OHV Ready Start 4-stroke - 190 cc
START	Easy starter cord - automatic
WEIGHT	37 kg

GRIN PM46A PERFORMANCE	1	2	3	4	5
Mowing quality in standard conditions					
Performance in tall grass (>30 cm)					
Mowing on slopes					
Uneven terrains					
Manoeuvrability in tight spaces					
Mowing speed					

GRIN PM53A



FIND OUT MORE!



**MOWING
NO GRASS BAG
NO WASTE**

TESTDRIVE GRIN



Built on the proven GRIN chassis, GRIN PM53A is equipped with the powerful and reliable Briggs & Stratton 850 series, 190 cc engine with READY START for easy start up.

The 2 SPEED professional traction in oil bath, in aluminum casing, is reliable and powerful and allows you to adjust the speed according to the conditions of the lawn.

The innovative GRIN design of the traction, mounted on GRIN suspended axles, enables to increase shock resistance and durability. Ideal for professional lawn maintenance, this machine is best suited for difficult conditions.

Maintainers who use it are astonished by its ability to pulverise grass even when it is tall and wet. It is also suitable for less frequent maintenance.

The 53 cm mowing deck makes it suitable for large spaces, while assuring easy maneuverability even in smaller spaces.

4. THE GRIN RANGE



Kawasaki PM range

INTERNAL COMBUSTION ENGINE

Professional



The GRIN PM KAWASAKI range consists of 2 lawn mowers featuring the patented MOWING – NO GRASS BAG – NO WASTE system **designed for professional use.** They are **powered by the professional KAWASAKI FJ180V KAI motor, equipped with pressurised lubrication to mow on slopes.**

Recommended for gardeners, maintainers, cooperatives or demanding private users.

Available with mowing width of 53 cm, the lawn mowers of PM range are **equipped with a professional traction to adapt to the different mowing conditions.**

The wheels with GRIP GRIN tread and MAXI rear diameter assure high performance on uneven terrain.

The engine protection cone, which offers protection from accidental hits on the blade, is standard. The comfort levers combined with the anti-vibration covered handlebar grant more comfort during intensive use.

Representing the evolution in professional maintenance, GRIN's professional range is able to meet the requirements to reduce costs and shorten maintenance time, always granting standard high mowing quality!

Professional HIGHLIGHTS



01. KAWASAKI PROFESSIONAL ENGINE
Designed for the most demanding professional.

02. PRESSURISED LUBRICATION ON SLOPES
To mow even on slopes over 20°.

03. PROFESSIONAL TRACTION
Professional with 2 speeds to adapt to different conditions.

04. ENGINE PROTECTION CONE
To minimize impacts on uneven terrain.

05. MAXI GRIP GRIN
To overcome obstacles on uneven terrain.

06. ANTI-VIBRATION HANDLEBAR AND COMFORT LEVERS
For more comfort in case of intensive use.

Kawasaki | PM range

GRIN PM53A KW

ENGINE FOR SLOPES > 20°



FIND OUT MORE!



MOWING
NO GRASS BAG
NO WASTE

TESTDRIVE GRIN



Built on the proven **GRIN chassis**. GRIN PM53A KW is equipped with the most appreciated **Kawasaki FJ180V KAI, 179 cc, professional engine**. It features a pressurised lubrication system to mow on slopes without facing lubrication problems.

The **2 SPEED professional traction in oil bath**, in aluminum casing, is **reliable and powerful** and allows you to adjust the speed according to the conditions of the lawn.

The innovative **GRIN design of the traction**, mounted on **GRIN suspended axles**, enables to increase **shock resistance and durability**.

Ideal for professional lawn maintenance, this machine is **best suited for difficult conditions**. Maintainers who use it are astonished by its ability to pulverise grass even when it is tall and wet. It is also suitable for less frequent maintenance.

The **53 cm mowing deck** makes it suitable for large spaces, while assuring easy maneuverability even in smaller spaces.

GRIN SPM53A KW

ENGINE FOR SLOPES > 20°



FIND OUT MORE!



MOWING
NO GRASS BAG
NO WASTE

TESTDRIVE GRIN



GRIN SPM53A KW is a 3-wheeled machine, with off-centered engine, ideal for maintenance in tall grass and on slopes.

The innovative Grin HD bridge frame allows to fit the professional KAWASAKI engine off-centre.

The lockable pivoting front wheel, the GRIP GRIN MAXI rear wheels and the excellent weight balance make this machine agile and easy to maneuver in tight space, on uneven terrain and on slopes.

The 3-wheeled structure facilitates mowing near trees or other obstacles.

The professional KAWASAKI engine is equipped with a pressurised lubrication system to mow on slopes without facing lubrication problems.

Ideal for professional use in tall grass, it is best suited for difficult lawns with different mowing conditions, e.g. from rustic lawn, not often maintained to regularly maintained areas.

Summary data sheet



MODEL	RECOMMENDED FOR			MOWING WIDTH	WEIGHT	(Length x Width x Height)	(Length x Width x Height)	ENGINE			
	M ²	SLOPE	USER			DIMENSIONS FOLDED	DIMENSIONS IN OPERATION	POWER SOURCE	ENGINE	START	VERTICAL STORAGE
HM37	0-400	0-10°	HobbyPRO	37 cm	25 kg	800x420 x420	1250x420 x1000	fuel	Briggs & Stratton 6.75 Ready Start 4-stroke - 163 cc MOW N'STOW	starter cord	yes
HM46	400-800	0-10°	HobbyPRO	46 cm	27 kg	800x520 x420	1250x520 x1000	fuel	Briggs & Stratton 6.75 Ready Start 4-stroke - 163 cc MOW N'STOW	starter cord	yes
HM46A	800-1.200	0-20°	HobbyPRO	46 cm	32 kg	800x520 x420	1250x520 x1000	fuel	Briggs & Stratton 6.75 Ready Start 4-stroke - 163 cc MOW N'STOW	starter cord	yes
HM46A IS	800-1.200	0-20°	HobbyPRO	46 cm	33 kg	800x520 x420	1250x520 x1000	fuel	Briggs & Stratton 6.75 - INSTART 4-stroke - 163 cc MOW N'STOW	electric with push button	yes
HM53A	800-1.200	0-20°	HobbyPRO	53 cm	34 kg	900x600 x450	1350x600 x1000	fuel	Briggs & Stratton 6.75 Ready Start 4-stroke - 163 cc MOW N'STOW	starter cord	yes
HM53A IS	800-1.200	0-20°	HobbyPRO	53 cm	35 kg	900x600 x450	1350x600 x1000	fuel	Briggs & Stratton 6.75 - INSTART 4-stroke - 163 cc MOW N'STOW	electric with push button	yes
BM46A-82V	800-1.200	0-30°	Professional	46 cm	33 kg without battery	800x520 x420	1250x520 x1000	battery	Briggs & Stratton 82V - Lithium ION	electric with push button	yes
PM46A	800-1.200	0-20°	Professional	46 cm	37 kg	800x520 x420	1250x520 x1000	fuel	Briggs & Stratton 8.50 professional OHV Ready Start 4-stroke - 190 cc	starter cord	no
PM53A	1.200-3.000	0-20°	Professional	53 cm	39 kg	900x600 x450	1350x600 x1000	fuel	Briggs & Stratton 8.50 professional OHV Ready Start 4-stroke - 190 cc	starter cord	no
PM53A KW	1.200-3.000	0-30°	Professional	53 cm	47 kg	900x600 x450	1350x600 x1000	fuel	Kawasaki Fj180V KAI - 4-stroke with pressurised lubrication to mow on slopes - 179 cc	starter cord	no
SPM53A KW	1.200-3.000	0-30°	Professional	53 cm	59 kg	1050x600 x550	1450x600 x550	fuel	Kawasaki Fj180V KAI - 4-stroke with pressurised lubrication to mow on slopes - 179 cc	starter cord	no



MOWING HEIGHT			WHEELS					HANDLEBAR		ENGINE PROTECTION CONE
REGULATION	MOWING HEIGHTS	MOWING HEIGHTS (mm)	MATERIAL	SLIDING	TREAD	FRONT DIAMETER	REAR DIAMETER	FOLDABLE	QUICK REGULATION	
centralised	4	35-70 mm	steel	double ball bearing	Grip Grin	181	181	yes	anti-vibration	optional
centralised	4	35-70 mm	steel	double ball bearing	Grip Grin	181	181	yes	anti-vibration	optional
centralised	4	35-70 mm	steel	double ball bearing	Grip Grin	181	235	yes	anti-vibration	optional
centralised	4	35-70 mm	steel	double ball bearing	Grip Grin	181	235	yes	anti-vibration	optional
centralised	4	35-70 mm	steel	double ball bearing	Grip Grin	181	235	yes	anti-vibration	optional
centralised	4	35-70 mm	steel	double ball bearing	Grip Grin	181	235	yes	anti-vibration	optional
centralised	4	35-70 mm	steel	double ball bearing	Grip Grin	181	281	yes	anti-vibration	yes
centralised	4	35-70 mm	steel	double ball bearing	Grip Grin	181	281	yes	anti-vibration	yes
centralised	4	35-70 mm	steel	double ball bearing	Grip Grin	181	281	yes	anti-vibration	yes
centralised	4	35-70 mm	steel	double ball bearing	Grip Grin	181	281	yes	anti-vibration	yes
front wheel	3	55-96 mm	steel	double ball bearing	Grip Grin	181	281	yes	anti-vibration	yes





**GRIN IS
ALWAYS BY
YOUR SIDE**





www.mygrin.eu

#changeyourperspective

PSD

Regent Yard, Whitewalls Industrial Estate, Colne, Lancashire, BB8 8LJ

Tel. 01282 856819

Email. sales@psdgroundscare.com

Web. www.psdgroundscare.com